



Cascade 450

INSTALLATION AND OPERATING INSTRUCTIONS.
 READ INSTRUCTIONS CAREFULLY BEFORE ATTEMPTING INSTALLATION.
 KEEP THESE INSTRUCTIONS FOR FUTURE REFERENCE

GB

The Hozelock Cyprio Cascade 450 pump is designed for submersible use only. The pump does not use oil or grease for lubrication and can be used safely in ponds containing fish or plants. The motor consists of a sealed stator and water-cooled permanent magnet rotor. All electrical components are isolated from the water.

appliance safely.
 Young children should be supervised to ensure that they do not play with the appliance.

LOCAL AUTHORITY IF IN ANY DOUBT
 ABOUT WIRING TO THE MAINS SUPPLY.

IMPORTANT

- WARNING: ALWAYS UNPLUG OR DISCONNECT ALL APPLIANCES IN THE POND FROM THE ELECTRICITY SUPPLY BEFORE PUTTING YOUR HANDS IN THE WATER WHILST EQUIPMENT IS BEING INSTALLED, REPAIRED, MAINTAINED OR HANDLED.**
- Do not use the supply cable to lift the pump, as this may cause damage. We recommend fitting a lifting cord when the pump is installed in deep water.
- Do not operate or leave the pump in freezing conditions.
- Do not allow the pump to run dry.
- Check that the voltage marked on the pump corresponds to the mains supply.
- A 10MA OR 30 MA RESIDUAL CURRENT DEVICE (RCD) MUST BE FITTED TO THE MAINS SUPPLY.**
- DO NOT OPERATE THIS PUMP WITHOUT THE STRAINER CAGE ATTACHED. USING THE PUMP WITHOUT A STRAINER MAY INVALIDATE YOUR WARRANTY.**

From 1st January 2005 installing this product in the garden is classed as "notifiable" in the revised Building Regulations for England and Wales. The Regulations now require you to tell your local authority building control department that you intend to install this product before installation. Your local authority will let you know how you can get your installation approved.

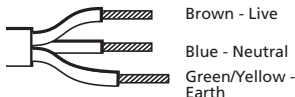
Safety Information

The appliance is not intended for use by persons (including children) with reduced physical, sensory or mental capabilities, or lack of experience and knowledge, unless they have been given supervision or instruction concerning use of the appliance by a person responsible for their safety. Children should be supervised to ensure that they do not play with the appliance.

(Australia & NZ only) This appliance is not intended for use by young children or infirm persons unless they have been adequately supervised by a responsible person to ensure that they can use the

WARNING: SAFETY AND ELECTRICAL CONNECTIONS.

- The pump is supplied with 10m of 3 core electric cable which is permanently connected and sealed to the motor. The supply cable cannot be replaced. If the cable is damaged, the pump should be discarded.
 This product is designed to be permanently wired to the mains supply in a dry weatherproof enclosure through a Double-Pole Switched Fused Spur - (Disconnecter) to BS 3676, with a minimum contact separation of 3mm in each Pole - Fitted with a 3 or 5 Amp fuse. The installation must conform to the national and local wiring regulations which could include the use of plastic or metal conduit to protect the cable.
- A 10MA OR 30MA RESIDUAL CURRENT DEVICE (RCD) MUST BE FITTED TO THE MAINS SUPPLY.**
- WARNING: THIS APPLIANCE MUST BE EARTHED AND IT IS ESSENTIAL THAT THE CONNECTIONS ARE MADE USING THE FOLLOWING CODE;**



- The BROWN lead should be connected to the LIVE terminal which may be marked with an 'L' or coloured brown or red. The BLUE lead should be connected to the NEUTRAL terminal which may be marked with an 'N' or coloured blue or black. The GREEN/YELLOW lead should be connected to the EARTH terminal which may be marked with an 'E' or coloured green or green/yellow.
- If an extension cable is required, this should be connected to the end of the pump cable using a weatherproof cable connector. The joint must be positioned in a suitable weatherproof housing. The extension cable should be of 3 core 0.75mm² Polychloroprene rubber insulated cable (ref: HO5 RN-F) and permanently wired to the mains supply with a 3 or 5 Amp fuse.
 - The pump cable (and extension cable) should be positioned and adequately protected against damage especially where contact with gardening equipment (lawn mowers, forks etc..) children and domestic animals may occur.
 - CONSULT A QUALIFIED ELECTRICIAN OR

ACCESSORY ASSEMBLY.

Telescopic Stem Assembly.
 Take the outer telescopic stem 'A' and slide the inner stem 'B' into it, as shown. See Fig 1.

PUMP INSTALLATION.

Position

Position the pump in the pond or water feature ensuring that it is fully submerged in water at all times whilst the pump is running. The connection to the outlet of the pump can be made with 12.5mm (1/2") bore hose.

Flow Control

The flow from the pump can be regulated to meet your needs by rotating the flow controller on the front of the pump. See Fig 3 (D).

Base Fixing.

Slide off the rear cover/base. Fix the base using the holes provided. Slide the motor onto the rear cover/base. For extra stability when using the fountain attachments, clip the pump onto the separate base plate. See Fig 3 (E). This can be secured to a surface with screws through the holes in each of the base plate corners.

Fountain Only.

- Place the pump next to the pond and route the cable back to the mains supply.
- Select the desired fountain accessory. The 2 and 3 tier fountainheads simply snap onto the fountain stem (See Fig 4). The fountain stem pushes onto the narrower tube section of the telescopic fountain stem (See Fig 4). Then place the pump in the desired position. Note: Check that the inner stem of the telescopic tube has not been pushed inside the outer tube.
- a). 3 tier fountain - Creates a wide and attractive fountain spray.
 b). 2 tier fountain - Creates a higher and narrower display.
- The ball joint - See Fig 5 (F), fits onto the pump outlet and the telescopic stem pushes onto the top. This can then be used to adjust the fountain angle so that it is vertical.

NOTE: This pump will not operate a fountain and waterfall at the same time.

Waterfall Only.

- Fit a suitable length of hose 12.5mm bore hose on to the hose adaptor. See Fig 2 (C).
- Route the hose back to the waterfall.

MAINTENANCE.

The Hozelock Cyprio range of Cascade pumps has been designed to allow fast and easy maintenance. As with all pumps of its kind, occasionally it will become necessary to clean

the Strainer Cage and Fountain Spray head ring.

Always unplug or disconnect ALL appliances in the pond from the electricity supply before putting your hands in the water or starting maintenance.

Fountain Head

1. Place a coin or similar in the slot and gently lever off the fountain head.
2. Rinse in clean water and reassemble.

Strainer.

1. Remove the strainer from the front of the pump by gently pulling it.
2. Rinse the strainer with clean water and then re-fit it.

Rotor Assembly.

1. Remove the Strainer Cage as described above.
2. Release the Chamber Front Plate, by unsnapping it from the Motor Body. See Fig 5 (G).
3. Gently pull the Chamber Front Plate squarely away from the Motor Body.
4. Pull the Rotor Assembly out of the Motor Body. See Fig 5 (H).
5. Wash out all of the components in clean water. **Do not use detergents or other chemical cleaners.**
6. Replace the Rotor Assembly into the Motor Body and refit the Pump Chamber and Strainer Cage.

ALL YEAR PUMP CARE.

A quick daily check should be carried out to ensure that the pump is performing satisfactorily.

Once a week- Remove and clean the Strainer Cage and Fountain Head in accordance with

the general maintenance notes. Depending on water conditions, cleaning may be required more frequently.

Once a year- Completely disassemble the pump including the Rotor Assembly as described in the general maintenance notes and wash all components in clean, fresh water. Replace worn or broken parts.

HOZELOCK CYPRIO 3 YEAR GUARANTEE.

If this pump, excluding the Rotor Assembly, becomes unserviceable within 1 year of the date of purchase it will be repaired or replaced at our option free of charge, unless in our opinion it has been damaged or misused.

Liability is not accepted for damage due to accident, improper installation or use. Liability is limited to replacement of a faulty pump. This guarantee is not transferable. It does not affect your statutory rights.

To obtain the benefits of the guarantee, firstly contact Hozelock Cyprio Consumer Services who may request that the pump is sent along with proof of purchase directly to the address below.

DAMAGE CAUSED BY RUNNING THE PUMP DRY OR BY FROST INVALIDATES THE GUARANTEE.

FAULT FINDING

WARNING: ALWAYS UNPLUG OR DISCONNECT ALL APPLIANCES IN THE POND FROM THE ELECTRICITY SUPPLY BEFORE PUTTING YOUR HANDS IN THE WATER WHILST EQUIPMENT IS BEING INSTALLED, REPAIRED, MAINTAINED OR HANDLED.

IMPORTANT - PLEASE KEEP THIS SECTION FOR REFERENCE

LOW FLOW FROM PUMP

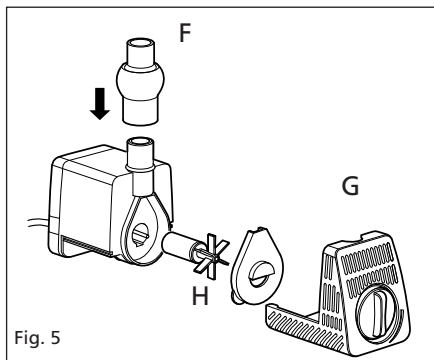
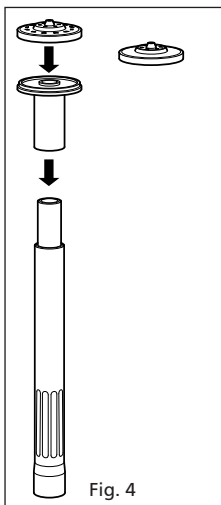
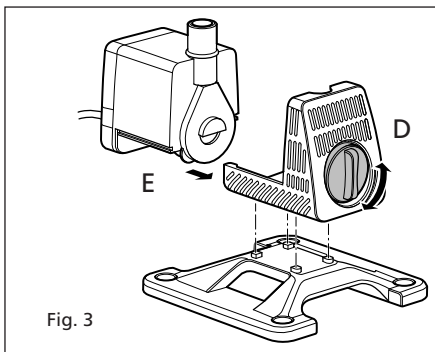
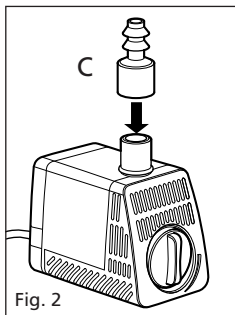
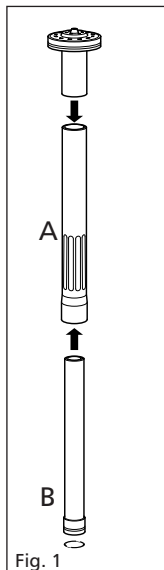
1. Ensure the Strainer Cage is clean.
2. A small diameter outlet pipe will restrict outlet flow.
3. Clear any blockages and adjust the flow controls.

NO FLOW FROM PUMP

1. Check power supply is on.
2. Check fuse and wiring.
3. Check the Rotor Assembly is not jammed, damaged or showing signs of excessive wear.
4. Ensure the Strainer Cage is clean.

POOR FOUNTAIN DISPLAY.

1. Clean the Fountain Head. (see maintenance).



Hozelock Cyprio
Midpoint Park, Birmingham B76 1AB
Tel: +44 (0)121 313 1122
www.hozelock.com

The Aquatics Division of Hozelock Group

33435-002

