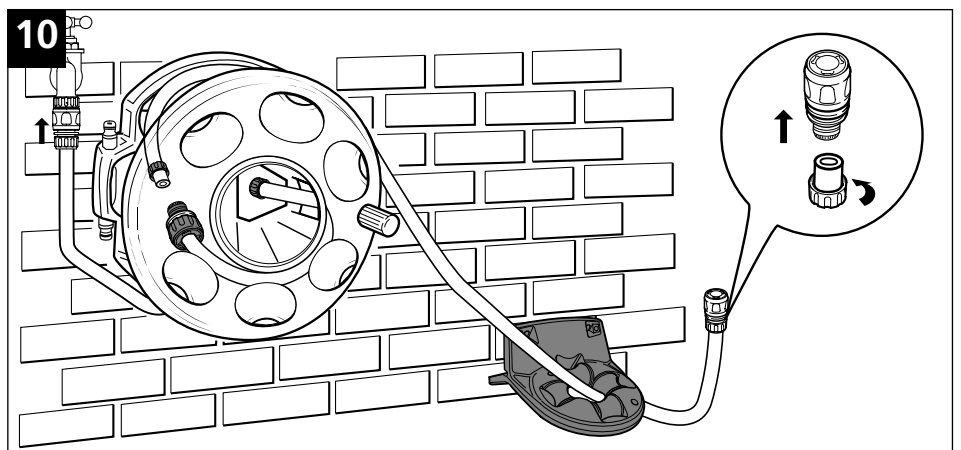
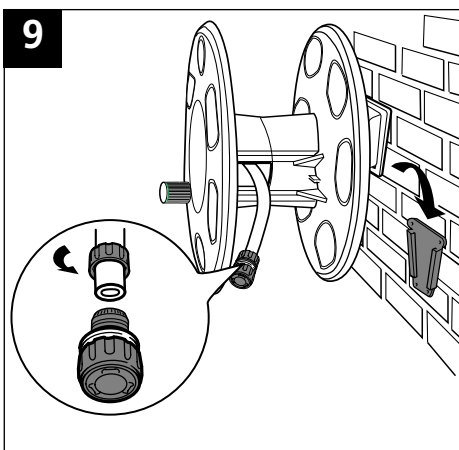
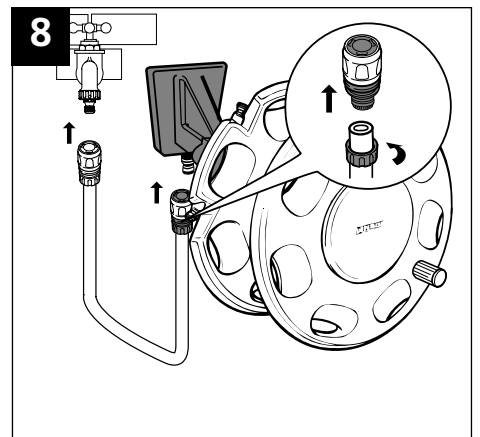
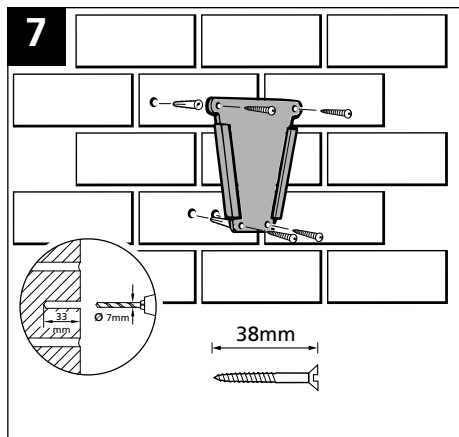
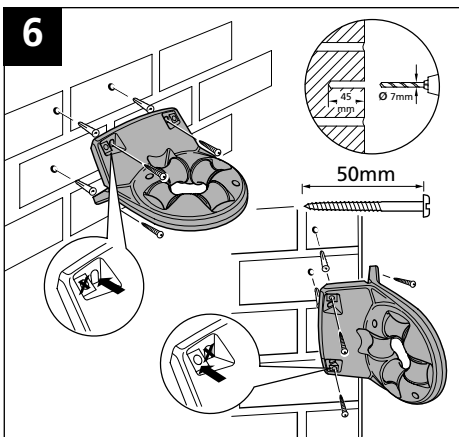
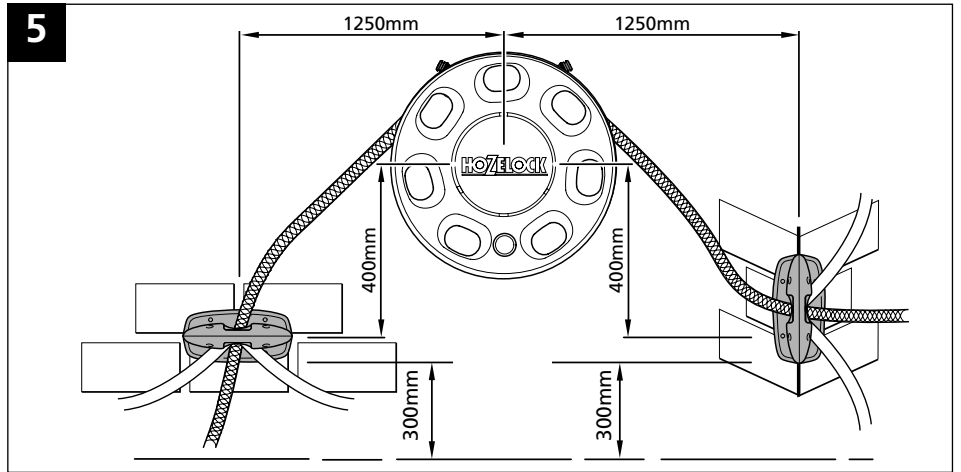
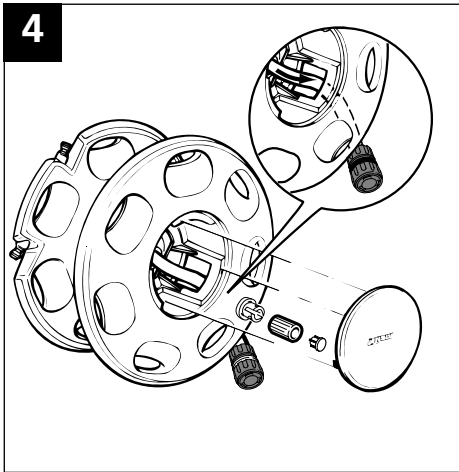
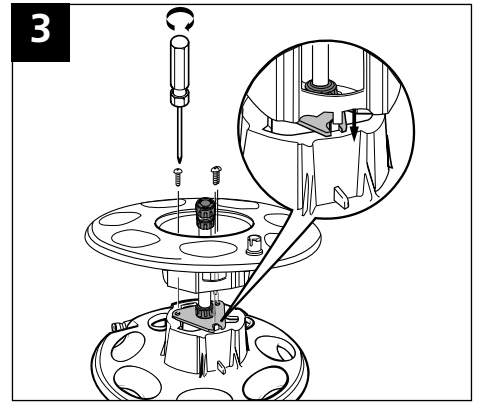
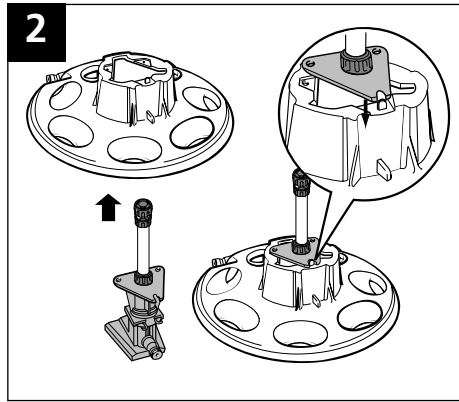
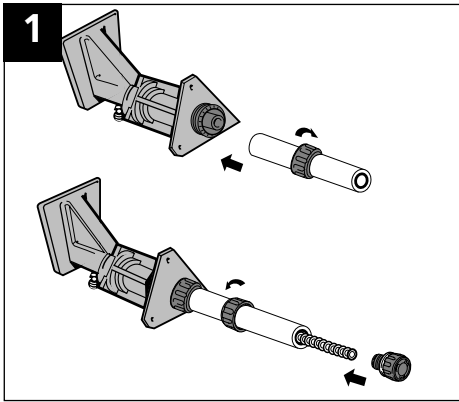


# HOZELOCK

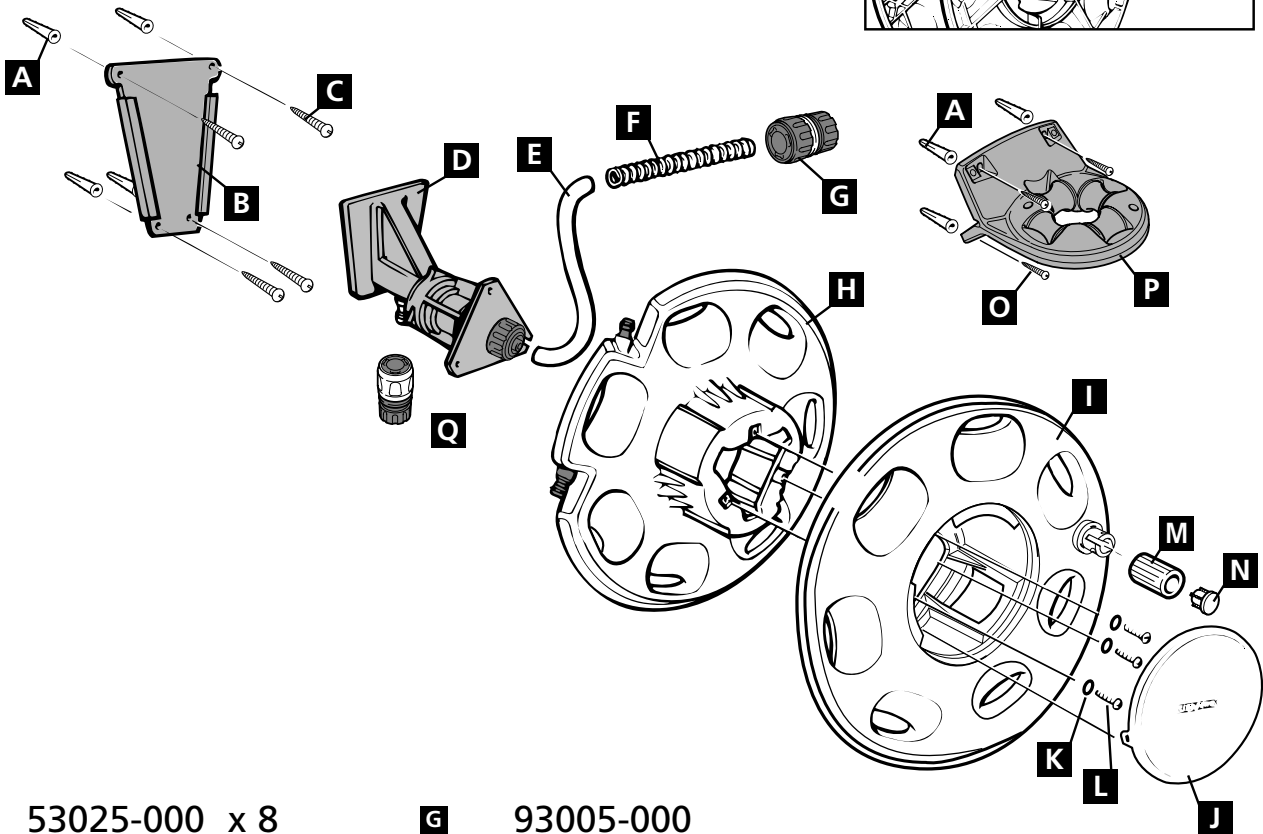
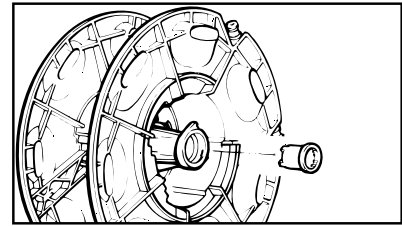
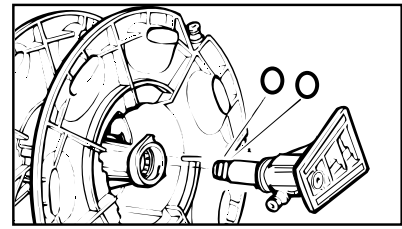
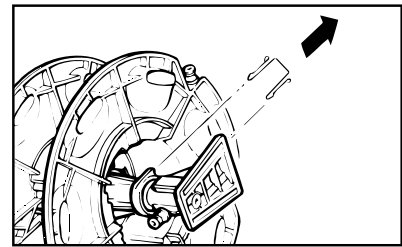
## Wall Mounted Hose Reel: Assembly Instructions



## Maintenance

- Remove reel from wall.
- Pull out spring clip, remove plastic wall bracket, then plastic bearing
- Apply to outside of bearing with Silicone grease. Replace seals if required
- Reassemble in reverse order

To make winding easier, and maximise water flow – run water through hose before winding onto drum.



**A** 53025-000 x 8

**B** 51606-000

**C** 53023-000 x 4

**D** 93221-000

**E** 93404-000

**F** 53015-000

**G** 93005-000

**H** 83287-440

**I** 83288-440

**J** 83289-440

**K** 53022-000 x 3

**L** 53027-000 x 3

**M** 83204-440

**N** 83205-440

**O** 53024-000 x 4

**P** 93264-000

**Q** 93085-000

Hozelock Ltd.  
Haddenham, Aylesbury, Bucks. HP17 8JD

Tel: 01844 292002  
Fax: 01844 290344

www.hozelock.com

45784-000

**HOZELOCK**