



Fountain & Waterfall Pump -LV

INSTALLATION AND OPERATING INSTRUCTIONS. READ INSTRUCTIONS CAREFULLY BEFORE ATTEMPTING INSTALLATION.
KEEP THESE INSTRUCTIONS FOR FUTURE REFERENCE

The Hozelock Cyprio Fountain & Waterfall 1500 low voltage pump is designed for submersible use only. The pump does not use oil or grease for lubrication and can be used safely in ponds containing fish or plants. The motor consists of a sealed stator and water-cooled permanent magnet rotor. All electrical components are isolated from the water.

WARNING: SAFETY AND ELECTRICAL CONNECTIONS.

- WARNING - ALWAYS UNPLUG OR DISCONNECT ALL APPLIANCES IN THE POND FROM THE ELECTRICITY SUPPLY BEFORE PUTTING YOUR HANDS IN THE WATER WHILE EQUIPMENT IS BEING INSTALLED, REPAIRED, MAINTAINED OR HANDLED.**
- Position the transformer in a garage or shed close to the mains voltage supply. The transformer is not waterproof and must be kept dry and under cover – allowing for sufficient air circulation.
Do not position the transformer in direct sunlight, e.g., greenhouse, window sills, etc., as high temperatures may cause overheating.
- Do not use the supply cable to lift the pump, as this may cause damage. We recommend fitting a lifting cord to the handle eye on the top of the strainer cage when the pump is installed in deep water.
- Do not operate or leave the pump in freezing conditions.
- Do not allow the pump to run dry.
- Check that the voltage marked on the pump corresponds to the low voltage supply.
- DO NOT OPERATE THIS PUMP WITHOUT THE STRAINER CAGE ATTACHED. USING THE PUMP WITHOUT A STRAINER MAY INVALIDATE YOUR WARRANTY.**
- The pump must only be connected to a safety isolating transformer with a 24V output, such as the one supplied with this product.
- CONSULT A QUALIFIED ELECTRICIAN OR LOCAL AUTHORITY IF IN ANY DOUBT ABOUT WIRING TO THE MAINS SUPPLY.**

ACCESSORY ASSEMBLY

Tee Piece.

- Locate the fountain flow adjuster (Fig-1-A) to the tee piece body with the peg positioned downwards to engage in the tee. Push in fully and snap them together.
- Locate the valve stem (B) to the waterfall flow adjuster (C) and snap them together. Screw the valve assembly into the longer boss (D) on the tee piece. See Fig 1.

Telescopic Stem

- Slide the Inner Tube (E) through the Telescopic Stem Nut (F) and "O" ring (G). Push the Inner Tube into the Outer Tube (H) and gently screw down the nut. The finishing position of the tee piece is not important. The maximum to minimum

range of the Telescopic stem is 150mm (6") (See Fig 2).

Bell Fountain.

- Locate the Bell Support (J) to the Bell Main Body (I) and push fully home.
- Position the Bell (K) to the Body Assembly and press into the central location.

See Fig 3.

TRANSFORMER INSTALLATION

Connect the pump to the transformer as follows; (see Fig 10).

- Plug the pump lead into the socket provided on the flying lead for the transformer. If an extension lead is required, Hozelock Cyprio can provide extension leads.
- The cable supplied with this pump cannot be replaced if the pump is damaged.
- Plug the transformer into the socket. Take care to position the cable so that it will not place un-necessary pulling load on transformer by leaving the flying lead with slack cable.
- The pump can now be switched on. Refer to the "Pump Installation" section for details on fountain height adjustment.

NOTE: This transformer is protected by a single-shot thermal fuse. If this device operates, the pump will stop working and the transformer will have to be replaced. This will only occur if the transformer overheats. This can be caused by exposure to direct sunlight. Ensure that the transformer operates in a shaded area.

PUMP INSTALLATION

Position

Construct a solid and level platform on which to place the pump. For installations using the fountain tops directly on the Tee Piece, the top level of the platform should be 300 mm (12") below the water level. For installations using the fountain tops directly on the Tee Piece and Telescopic Stem, the top level of the platform should be 450 mm (18") below the water level.

Fountain Only. (See Fig 7 for general installation guide)

- Place the pump next to the pond and route the cable back to the mains supply.
- Position the pump with the Tee Piece Assembly and if required the Telescopic Stem with the fountain fitted in the desired position in the pond. The 2 and 3 tier fountain heads simply snap onto the fountain stem (See Fig 4).
- The fountain height can be regulated to suit your needs by rotating the Fountain Flow Adjuster. See Fig 5 (L).
- If required, the 2-Tier Fountain head, Fig 5 (M), can be used to achieve an alternative and higher display pattern than the 3-Tier, Fig 5 (N)
- The Bell Fountain creates a decorative

waterbell. The size of the bell can be regulated by adjusting the flow through the Tee Piece by rotating the fountain flow adjuster and or by raising or lowering the top of the Bell in main Bell Body.

- The ball joint on the bottom of the tee Piece, Fig 5 (O) can be used to adjust the fountain angle so that it is vertical.

Fountain and Waterfall. (See Fig 8 for general installation guide)

- Position the pump as previously described.
- Attach a suitable length of 25 mm (1") hose to the Threaded Hose tail, Fig 5 (P), and secure with a suitable hose clip and position the outlet end of the hose in the desired position.
- Screw the Threaded Hose tail onto the waterfall outlet side of the Tee Piece.
- The combination of waterfall and fountain will reduce the fountain height that can be achieved.
- Once the pump is operating the flow of the waterfall and the height of the fountain can be independently adjusted.

Waterfall Only. (See Fig 9 for general installation guide)

- Position the pump as previously described.
- Attach a suitable length of 25 mm (1") hose to the Threaded Hose tail and secure with a suitable hose clip and position the outlet end of the hose in the desired position.
- For maximum waterfall flow, screw the Threaded Hose tail directly onto the outlet of the pump. Some installations require the flow of the water to be adjusted. In these cases, screw the Tee Piece to the outlet of the pump, screw the Threaded Hose tail to the water fall outlet boss and adjust the flow using the waterfall flow adjuster, Fig 5 (Q), to suit your needs.

MAINTENANCE

The Hozelock Cyprio range of Fountain & Waterfall pumps have been designed to allow fast and easy maintenance. As with all pumps of its kind, occasionally it will become necessary to clean the Strainer Cage and Fountain Spray head ring.

ALWAYS UNPLUG OR DISCONNECT ALL APPLIANCES IN THE POND FROM THE ELECTRICITY SUPPLY BEFORE PUTTING YOUR HANDS IN THE WATER OR STARTING MAINTENANCE.

Fountain Head

- Place a coin or similar in the slot and gently lever off the fountain head.
- Rinse in clean water and reassemble.

Strainer.

- Remove the accessories from the pump outlet.
- Holding the pump in one hand, press the release button (R) on the top of the pump and open Strainer Cage. See Fig 5.
- Slide the pump out of its location and

wash/rinse the Strainer Cage with clean water. The hinges on the Strainer Cage should also be washed clean at this time.

4. Reassemble the pump.

Rotor Assembly.

1. Remove the Strainer Cage as described above.
2. Release the Pump Chamber, Fig 6 (S), by rotating it until the two retaining tongues are clear of the lugs on the Motor Body.
3. Gently pull the Pump Chamber squarely away from the Motor Body.
4. Pull the Rotor Assembly out of the Motor Body. See Fig 6 (T).
5. Wash out all of the components in clean water. **Do not use detergents or other chemical cleaners.**
6. Replace the Rotor Assembly into the Motor Body and refit the Pump Chamber and Strainer Cage.

ALL YEAR PUMP CARE

A quick daily check should be carried out to ensure that the pump is performing satisfactorily.

Once a week- Remove and clean the Strainer Cage and Fountain Head in accordance with the general maintenance notes. Depending on pond water conditions, cleaning may be required more frequently.

Once a year- Completely disassemble the pump including the Rotor Assembly as described in the general maintenance notes

and wash all components in clean, fresh water. Replace worn or broken parts.

HOZELOCK CYPRIO 3 YEAR GUARANTEE

If this pump, excluding the Rotor Assembly, becomes unserviceable within 3 years of the date of purchase it will be repaired or replaced at our option free of charge, unless in our opinion it has been damaged or misused.

Liability is not accepted for damage due to accident, improper installation or use. Liability is limited to replacement of a faulty pump. This guarantee is not transferable. It does not affect your statutory rights.

To obtain the benefits of the guarantee, firstly contact Hozelock Cyprio Consumer Services who may request that the pump is sent along with proof of purchase directly to the address below.

DAMAGE CAUSED BY RUNNING THE PUMP DRY OR BY FROST INVALIDATES THE GUARANTEE.

FAULT FINDING

WARNING - ALWAYS UNPLUG OR DISCONNECT ALL APPLIANCES IN THE POND FROM THE ELECTRICITY SUPPLY BEFORE PUTTING YOUR HANDS IN THE WATER WHILST EQUIPMENT IS BEING INSTALLED, REPAIRED, MAINTAINED OR HANDLED.

IMPORTANT - PLEASE KEEP THIS SECTION FOR REFERENCE

LOW FLOW FROM PUMP

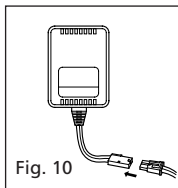
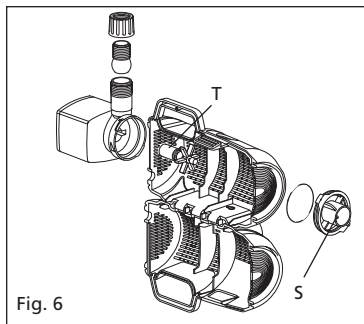
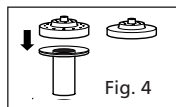
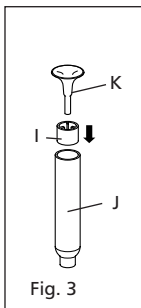
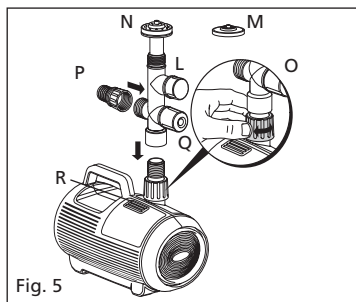
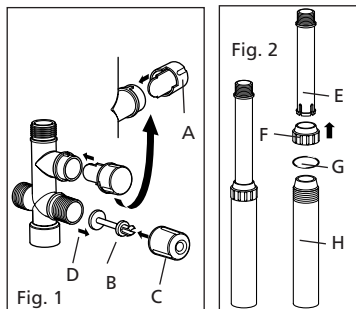
1. Ensure the Strainer Cage is clean.
2. A small diameter outlet pipe will restrict outlet flow.
3. Clear any blockages and adjust the flow controls.

NO FLOW FROM PUMP

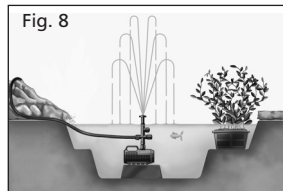
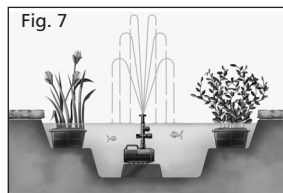
1. Check power supply is on.
2. Check fuse and wiring.
3. Check the Rotor Assembly is not jammed, damaged or showing signs of excessive wear.
4. Ensure the Strainer Cage is clean.

POOR FOUNTAIN DISPLAY.

1. Clean the Fountain Head. (see maintenance).



Item Numbers	
1. Pump Chamber and Seal.	Z13254
2. Rotor Assembly.	3409
3. Strainer Cage.	Z13213
4. Fountain Kit.	3403
5. Transformer.	Z13188



Hozelock Cyprio
Haddenham, Aylesbury, Bucks. HP17 8JD.
England.
Tel: 01844 292002 Fax: 01844 291820
www.hozelock.com

The Aquatics Division of Hozelock Group

33530-000